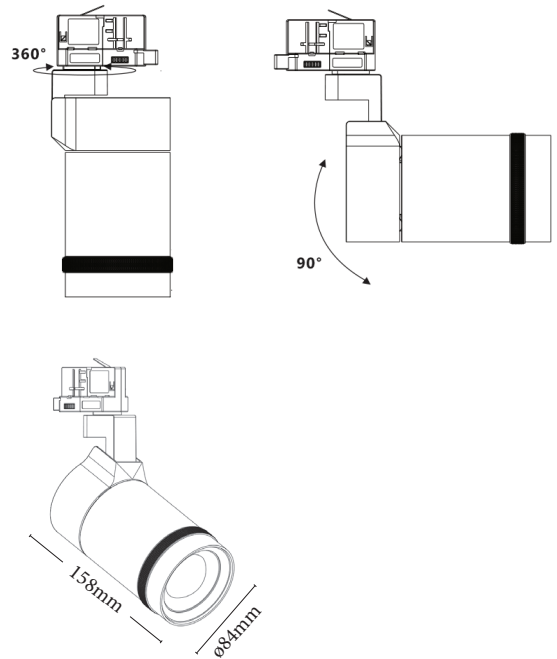


Eurospot Focus White 20W Datasheet

3000K 1865Lm Beam Angle Adjustable LED Track Spotlight

PXEUFX20WW



Dimensions	ø84*158mm
Cut-Out	-
Weight	-
Material	Aluminium
Colour/Finish	White
IK Rating	-
Voltage/Frequency	200-240V 50/60Hz
Luminous Flux	1865Lm
Luminous Efficacy	93Lm/w
Color Rendering Index	>90
CCT Colour Temp	3000K
SDCM Colour Consistency	<3
UGR Unified Glare Rating	-
LEDs	COB
Light Control	On-Board Dimming
Beam Angle	10°~60° Adjustable
Adjustable	360° (H) and 90° (V)
Chip	CREE
IP Rating	IP20
L80B10	50,000 hours
Warranty	5 years

Features & Applications

The Eurospot Focus range of LED track spots provide an excellent colour rendering index of >90 to increase the colour fidelity of the target illuminated object or space.

With a superior quality of light and 10°~60° adjustable beam angle, the Focus range is ideal for museums and art galleries.

- 3 Circuit Fitting
- 10°~60° Beam Angle Adjustable
- Adjustable 360° Horizontally and 90° Vertically
- On-Board Dimming