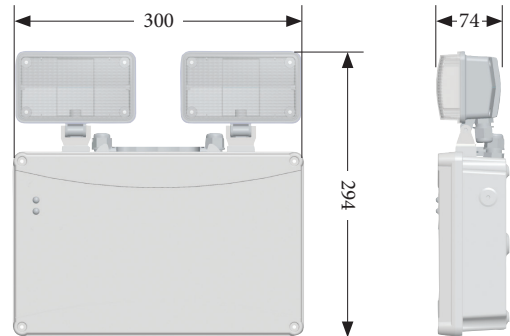


Event 4.5W IP65 Twinspot Datasheet

Non-Maintained 4000K 420lm Emergency Version

PXTWINIP



Dimensions (mm)	300*74*294
Cutout	N/A
Weight	1.3kg
Material	Polycarbonate
Wattage	4.5W
Housing Colour	White
IK Rating	IK08
Voltage/Frequency	180-240V 50/60Hz
Luminous Flux	420lm
Color Rendering Index	>80
Colour Temperature	4000K
SDCM	≤6
LEDs	SMD2835 48pcs
Beam Angle	120°
Chip	Everlight
IP Rating	IP65
L80B10	50,000h
Emergency Function	3-4 Hours at 4.5W 420lm
Emergency Type	Non-Maintained
Battery Type	LiFePO4
Battery Warranty	4 Years
Fitting Warranty	5 Years

Features & Applications

The Prelux Event twin-spot emergency fitting comes with a lithium battery pack that provides 3-4 hours of light at 4.5W 420 lumens when and where it is needed.

The Event 4.5W non-maintained emergency twin spot has an IP65 protection rating which is ideal for outdoor applications.