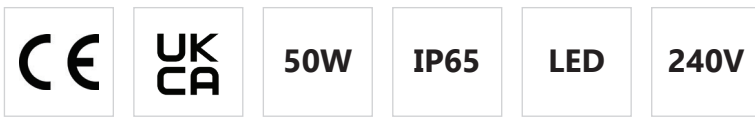
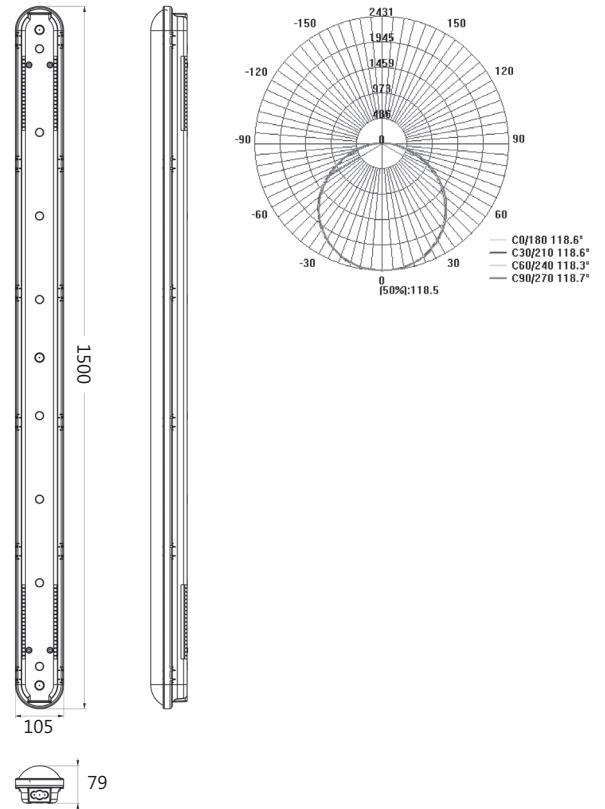


Vapour 50W Standard Datasheet

5ft Twin 4000K 7000lm IP65 LED Batten

PXVAP550



Dimensions	1500*105*79mm
Weight	1.8kg
Material	Polycarbonate
Colour/Finish	Opal diffuser, grey base
IK Rating	IK08
Voltage/Frequency	220-240V 50Hz
Luminous Flux	7,000lm
Luminous Efficacy	140Lm/W
Color Rendering Index	>80
CCT Colour Temp	4000K
SDCM Colour Consistency	<4
UGR Unified Glare Rating	<22
LEDs	SMD2835
Light Control	On/Off
Beam Angle	120°
Adjustable	No
Chip	Epistar
Maintained Luminous Flux	L80 (B10) 50,000h
Warranty	5 Years

Features & Applications

The Prelux Vapour 5ft 50W is a highly efficient anti-corrosive LED batten which produces an impressive 140Lm/W and provides a uniform light.

The IP65 protection rating makes the Vapour an ideal fitting for damp environments such as underground and multi-storey car parks.

Vapour is available in standard or emergency models in a range of sizes and comes with a 5 year warranty.

Options Available	
3 Hr Emergency	Yes *EM
MW Sensor	On Request