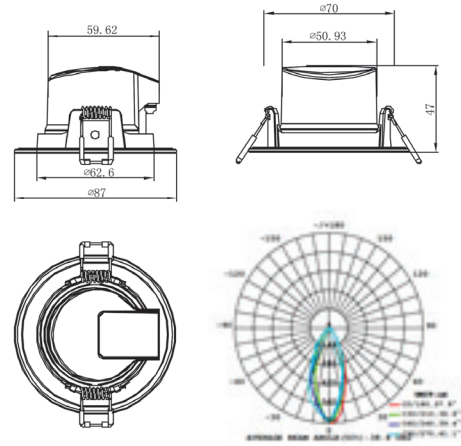


Comet 5W Datasheet

IP44 400Lm 3000K Non-Dim LED Downlight

PXCOM5W3K



CE	UK CA	5W	IP44	LED	240V
----	----------	----	------	-----	------

Dimensions (mm)	ø87 x 47
Cut-Out(mm)	ø68-70
Weight (Kg)	0.062
Material	Aluminum, Iron & ABS
Colour/Finish	White (Additional bezel finishes available)
IK Rating	IK03
Voltage/Frequency	220-240V/50Hz
Power	5W
Luminous Flux	400lm
Luminous Efficacy	80lm/W
Color Rendering Index	80
CCT Colour Temp	3000K
SDCM Colour Consistency	-
UGR Unified Glare Rating	-
LEDs	SMD
Light Control	On/Off
Beam Angle	38°
Adjustable	30°
Chip	-
IP Rating	IP44
Maintained Luminous Flux (L80B10)	25,000h
Warranty	2 years

Features & Applications

Comet 5W is a tiltable trim downlight with 70mm cutout size that is versatile enough for both domestic and commercial applications.

The fitting bezel comes in white as standard with the option of a number of different finishes also available (to be ordered separately).

Options Available	
Light Controls	Casambi *CM

Additional Bezel Finishes (to be ordered separately)	
Black	PXCOMBZ1
Brushed Aluminium	PXCOMBZ2
Chrome	PXCOMBZ3