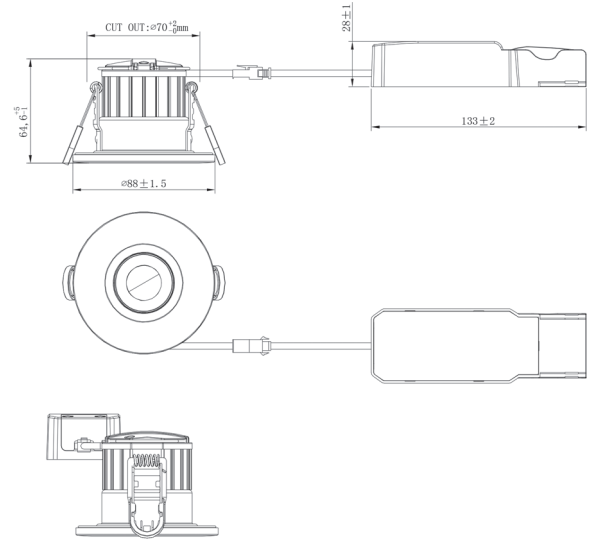


## Monza II 8.5W Fire Rated Datasheet

CCT 600-680Lm LED Downlight

PXMZV2FRCCT



CE	UK CA	8.5W	IP65	LED	240V
----	----------	------	------	-----	------

<b>Fitting Dimensions</b>	ø88*65mm, ø70mm Cutout
<b>Driver Dimensions</b>	133*46*28mm
<b>Input Voltage</b>	AC220~240V 50Hz
<b>Weight</b>	221g (with driver)
<b>Fixture Material</b>	Die Cast Aluminium/PC Lens
<b>Wattage</b>	8.5W
<b>Beam Angle</b>	60°
<b>Housing Color</b>	White
<b>Luminous Flux</b>	600lm / 650lm / 680lm
<b>Luminous Efficacy</b>	70lm/W - 80lm/W
<b>Colour Rendering Index</b>	>80
<b>Colour Temperature</b>	3000K / 4000K / 5000K
<b>LED Type</b>	SMD
<b>Dimmable</b>	Triac
<b>Protection Level</b>	IP65
<b>Fire Rated</b>	30/60/90min, Separated Driver
<b>Operating Temperature</b>	-20°~+40°C
<b>Lifetime</b>	50,000h
<b>Certification</b>	CE, UKCA
<b>Warranty</b>	5 Years

### Features & Applications

Monza II 8.5W is fire rated up to 90 minutes and comes with a separated driver. It is also colour temperature selectable and triac dimmable as standard, making it an ideal downlight option for both commercial and domestic applications.

An extra black bezel is included with this fitting to provide more flexibility.

Options Available	
Casambi Module	On Request