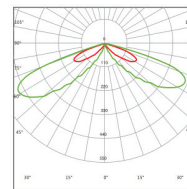
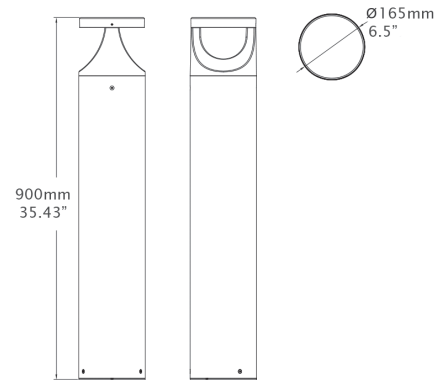


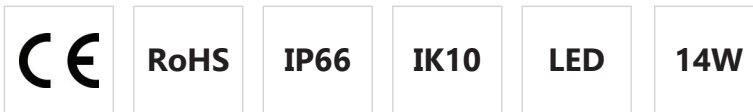
Liberty Bollard 14W Datasheet

4000K 1190Lm IP66 IK10 LED Bollard

PXLIBBOL14W



R03201



Dimensions	165*900mm
Input Power	14W
Input Voltage	AC220~240V 50/60Hz
LED Type	LED 3030
Lumens (±5%)	1190Lm
Efficiency	85Lm/W
CCT	4000K
Color Rendering Index	> 80
Beam Angle	R03201
Power Factor	>0.9
Surge Protection	2kV line-line, 4kV line-earth, 2kV line-earth
Ingress Protection	IP66/IK10
Material	Aluminium Body, PC Lens
Lifetime	37,843h (Ta=25°C@L90)
Operating Temperature	-30°C to +50°C(-22°F to +122°F)
Luminaire Net Weight	4.5±0.3kg
Installation	Mounting kit with anchor bolts
Certification	CE, UKCA, RoHS, CB, SAA
Warranty	5 Years

Features & Applications

- Contemporary architectural design
- Ideal complement to Liberty Pole Tops & Wallpack
- Superior quality of light
- IP66/IK10 protection rating
- 5 years warranty