

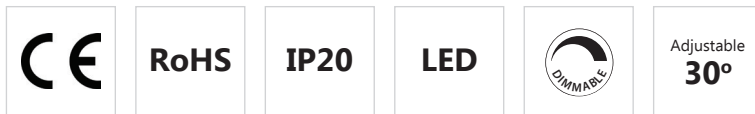
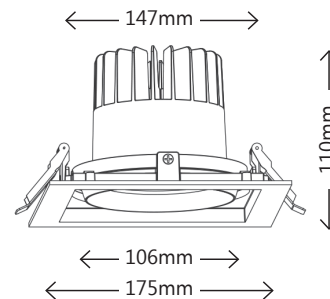
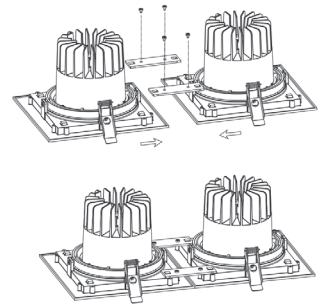
Verona 4000K 35W Datasheet

IP20 Adjustable LED Downlight

PXVER35W4K



Connection plates available
Product Code: PXVERCP
(to be ordered separately)



Dimensions	175*175*110mm
Cutout	150-160*150-160mm
Input Voltage	AC220-240V
Frequency	50/60Hz
LED Type	COB
SDCM	<6
Efficiency	≥85%
Input Power	35W
Power Factor	≥0.9
Colour Temperature	4000K
Luminous Flux	3800Lm
Housing Color	White RAL 9016
Material	Aluminium
Beam Angle	36°
Color Rendering Index	≥80
Life Time	50,000h
Dimmable	DALI
Protection Level	IP20
Operating Temperature	-20°C~+40°C
Warranty	3 Years

Features & Applications

Verona 35W is a recessed commercial downlight with modular design which can create multiple lighting combinations with the use of connection plates.

Verona comes with COB LED chips and a highly reflective finish for an excellent quality of light. The ADC12 Aluminum heat sink provides excellent thermal management to prolong the life of the LEDs. Verona is also adjustable 30 degrees in any direction making it ideal for retail stores and office spaces.

- Modular design for multiple combinations.
- DALI dimmable as standard.
- Angle adjustable up to 30° in any direction.
- COB LED Chips
- 50,000 hour lifetime.