

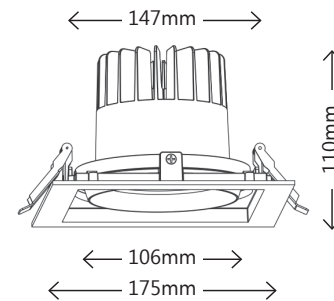
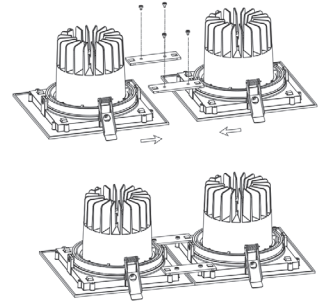
## Verona 3000K 35W Datasheet

IP20 Adjustable LED Downlight

PXVER35W3K



Connection plates available  
Product Code: PXVERCP  
(to be ordered separately)



RoHS

IP20

LED



Adjustable  
30°

<b>Dimensions</b>	175*175*110mm
<b>Cutout</b>	150-160*150-160mm
<b>Input Voltage</b>	AC220-240V
<b>Frequency</b>	50/60Hz
<b>LED Type</b>	COB
<b>SDCM</b>	<6
<b>Efficiency</b>	≥85%
<b>Input Power</b>	35W
<b>Power Factor</b>	≥0.9
<b>Colour Temperature</b>	3000K
<b>Luminous Flux</b>	3600Lm
<b>Housing Color</b>	White RAL 9016
<b>Material</b>	Aluminium
<b>Beam Angle</b>	36°
<b>Color Rendering Index</b>	≥80
<b>Life Time</b>	50,000h
<b>Dimmable</b>	DALI
<b>Protection Level</b>	IP20
<b>Operating Temperature</b>	-20°C~+40°C
<b>Warranty</b>	3 Years

## Features & Applications

Verona 35W is a recessed commercial downlight with modular design which can create multiple lighting combinations with the use of connection plates.

Verona comes with COB LED chips and a highly reflective finish for an excellent quality of light. The ADC12 Aluminum heat sink provides excellent thermal management to prolong the life of the LEDs. Verona is also adjustable 30 degrees in any direction making it ideal for retail stores and office spaces.

- Modular design for multiple combinations.
- DALI dimmable as standard.
- Angle adjustable up to 30° in any direction.
- COB LED Chips
- 50,000 hour lifetime.