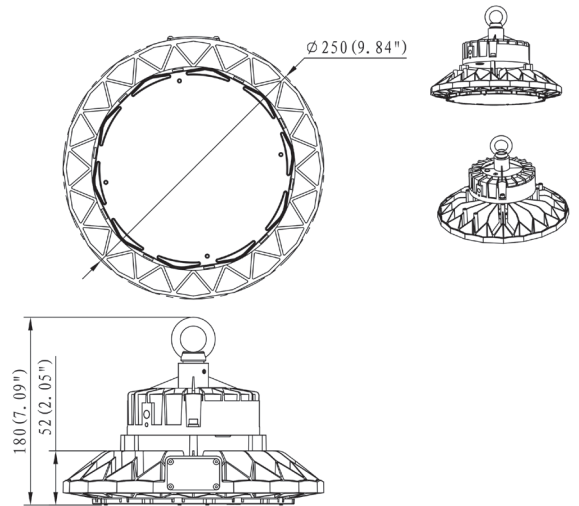


Saturn Magic 100W Datasheet

100W 13,000Lm LED Highbay

PXSAT100MG



RoHS

IP65

LED

100W

Dimensions	ø250*180mm
Input Voltage	AC220~240V 50/60Hz
Input Power	100W ±5W
Power Factor	≥0.95
Beam Angle	H00B23 (120°)
Housing Color	Black
Luminous Flux	13000Lm (±5%)
Color Rendering Index	Ra70
Lifetime	>50,000Hrs (Ta=30°C@L70)
Fixture Material	Aluminium Alloy/PC Lens
Colour Temperature	5000K
LED Type	SMD
Protection Level	IP65
Luminaire Nett Weight	2.3±0.2kg (5.07±0.44Lbs)
Operating Temperature	-30°C~+45°C
Luminous Efficacy	130Lm/W (±5%) (5000K Ra70)
Certification	CE CB
Warranty	5 Years

Features & Applications

The Prelux Saturn range provides a new level of innovation in maintenance free LED high bay lighting. By discarding the standard COB and opting instead for a smarter, more efficient SMD design, the Saturn range provides a smaller, lighter and more powerful solution.

The Saturn Magic is exceptionally efficient, producing a highly impressive 130Lm/W. The heat sink is designed to generate optimum airflow around the fixture providing superior temperature management and helping to avoid the accumulation of dirt and dust.