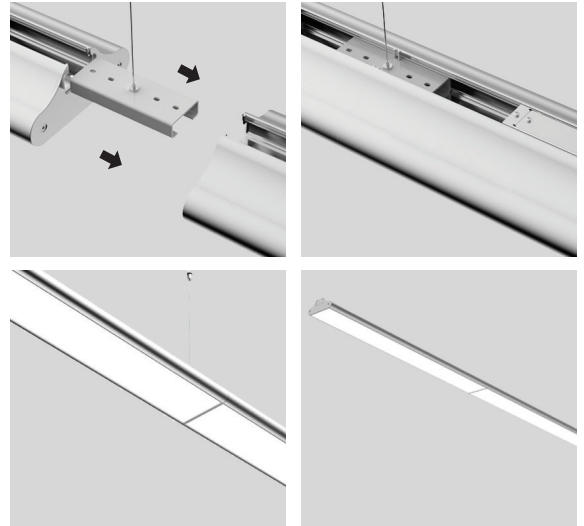
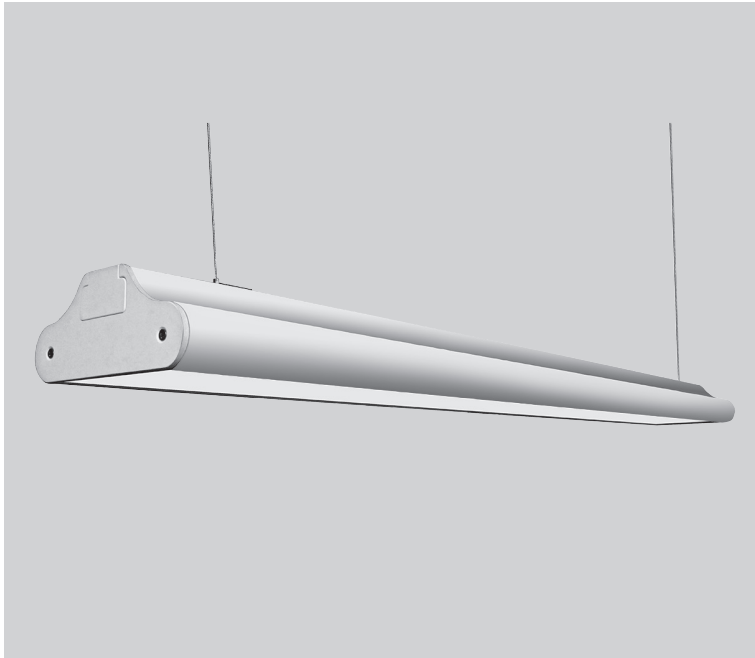


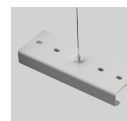
Aglaia Datasheet

40W Linkable LED Pendant / Surface

PXAGLAIA



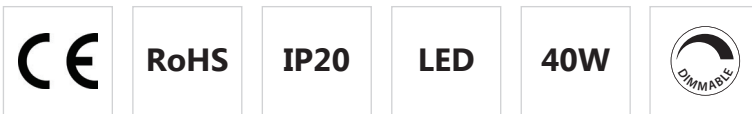
Accessories (to be ordered separately)



Link
Connector
PXAGLINK



Pendant
Adaptor
PXAGSUS



Dimensions	1200*160*68.5mm
Input Voltage	AC100~240V/AC220~240V
Input Power	40W
Power Factor	≥0.9
Beam Angle	120°
Housing Color	Silver/White
Luminous Flux	4400lm
Color Rendering Index	>80
Life Time	50,000H
Fixture Material	6063AL
CCT	4000K
LEDs	240pcs
Protection Level	IP 20
Storage Temperature	-40°C~+80°C
Working Temperature	-20°C~+45°C
UGR	<19
Dimmable	0-10V
Luminous Efficacy	110lm/W
Warranty	5 Years

Features & Applications

The Prelux Aglaia brings the perfect combination of form and function to a range of installations. The linkable design provides a near seamless join in the fittings, with a mere 8mm distance between the luminaires.

The extruded aluminium frame enables highly effective thermal dissipation, resulting in a 50,000 hour LED lifetime. The fitting can also be installed as a pendant or surface mounted.

Aglaia provides an impressive 110lm/W making it an ideal fitting for schools, hospitals and libraries as well as retail stores and commercial offices.