

FRANCY

UP & DOWN

Bulkhead lamp with no visible screws and UP&DOWN light emission. Made of shockproof resin material, UV-rays stabilized, rust and corrosion-free. Supplied with **E27** lampholder, available with TÜV approved, long-life and efficient **LED filament lamps** suitable for outdoor use. Version with motion sensor available. Insulation class II, Protection rating IP66.



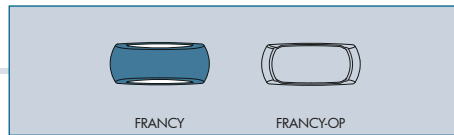
Plafoniera senza viti a vista con emissione della luce UP&DOWN. Realizzata in resina antiurto, stabilizzata ai raggi UV, inattaccabile da ruggine e corrosione. Fornita con portalampada E27 e disponibile con lampadine LED a filamento adatte ad uso in ambiente esterno, approvate TÜV, di lunga durata ed elevata efficienza. Disponibile anche con sensore di movimento. Classe di isolamento II, grado di protezione IP66.



1A1.000.F1R



MADE IN
ITALY



FRANCY - COMPONENTS

IP 66



COVER with no visible screws made of shockproof resin material UV-rays stabilized. Designed for getting UP&DOWN or side light emission.

COVER senza viti a vista realizzata in resina antiurto, stabilizzata ai raggi UV. Disegnata per ottenere un'emissione laterale della luce.

DIFFUSER made of UV-rays stabilized polymethylmethacrylate (PMMA) screwed to the bulkhead base.

DIFFUSORE realizzato in polimetilmetacrilato (PMMA) stabilizzato ai raggi UV da avvitare alla base della plafoniera.

BASE made of shockproof resin material, UV-rays stabilized, suitable for the electrical devices fixation. Provided with E27 lampholder and with silicone rubber gasket to ensure high protection against external agents.

BASE realizzata in resina antiurto, stabilizzata ai raggi UV, adatta ad alloggiare gli accessori elettrici. Fornita completa di portalampada E27 e di guarnizione in gomma siliconica per garantire un alto livello di protezione contro gli agenti esterni.

FRANCY



Dimensions and weight

Width: 130 mm
Height: 300 mm
Depth: 90 mm
Weight: 1 Kg

Moulded Colours:

Black Grey White

Diffuser PC:

Opal Frosted (upon request)

E27

FULLY PRE-WIRED



Bulkhead supplied **fully pre-wired** with E27 lampholder. Provided as an option with TÜV approved, long-life and efficient **LED filament lamps** suitable for outdoor use with driver fully protected against heat and humidity by silicone paste.

*ADD. SUFFIX

E27 (CFL-LED)		max 160 mm		.E27
	6 W	800 Lm	2700 K	.F1R
	8 W	1000 Lm	2700 K	.M1R
	12 W	1500 Lm	2700 K	.N1R

6W
8W
12W = 60W
75W
100W incandescent
SAVE 90%

E27 with sensor

FULLY PRE-WIRED



Bulkhead supplied **fully pre-wired** with E27 lampholder and **LED filament lamps** as an option. Complete with microwave daylight and motion **sensor**. Sensor operating voltage: 220-240V. (120V version available on demand).

*ADD. SUFFIX

E27 (CFL-LED)		max 160 mm		.ES7
	6 W	800 Lm	2700 K	.S1R
	8 W	1000 Lm	2700 K	.T1R
	12 W	1500 Lm	2700 K	.V1R

6W
8W
12W = 60W
75W
100W incandescent
SAVE 90%

LED LAMPS



More technical details about TÜV approved Fumagalli LED Lamps on page 468.

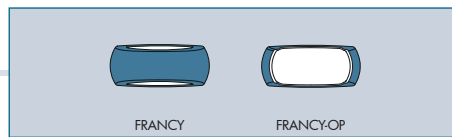
* ADD THESE SUFFIXES TO THE REFERENCES MENTIONED IN THE CATALOGUE

FRANCY RANGE
UP&DOWN

- BULKHEAD
- FLOODLIGHT
- IN-GROUND
- BRICKLIGHT
- BOLLARDS
- GARDEN
- URBAN CLASSIC
- URBAN MODERN
- HIGH-BAY
- POST
- LAMPS



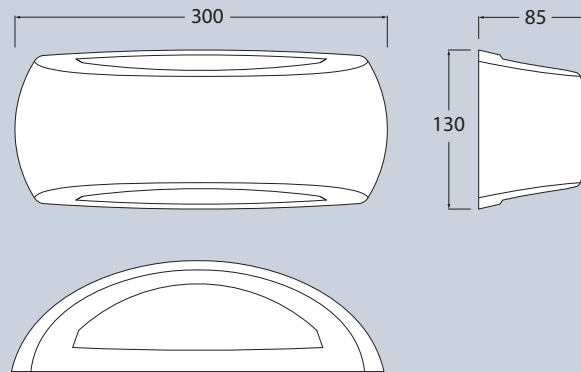
MADE IN
ITALY



FRANCY

E27 lampholder	1A1.000.E27
E27 lampholder with sensor	1A1.000.ES7
6W LED filament	1A1.000.F1R
8W LED filament	1A1.000.M1R
12W LED filament	1A1.000.N1R

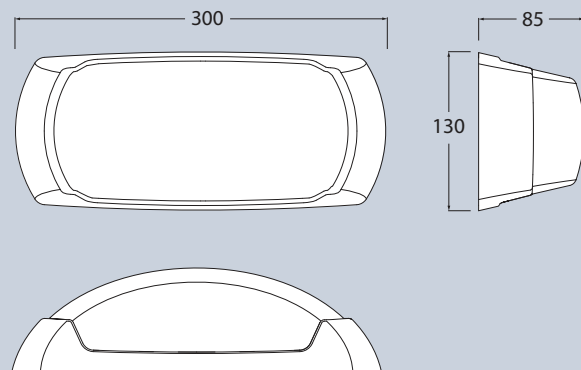
Pcs 24
Kg 25
mc 0,12



FRANCY-OP

E27 lampholder	2A1.000.E27
E27 lampholder with sensor	2A1.000.ES7
6W LED filament	2A1.000.F1R
8W LED filament	2A1.000.M1R
12W LED filament	2A1.000.N1R

Pcs 24
Kg 25
mc 0,12



4000K

3000K

2A1.000.G2L

2x 3W GX53 LED

2A1.000.G2R